

1 | 2 | 3 | 4 | 5 | 6 | 7 | 8

RevNo	Revision note	Date	Signature	Checked
-------	---------------	------	-----------	---------

A

B

C

D

E

F

A

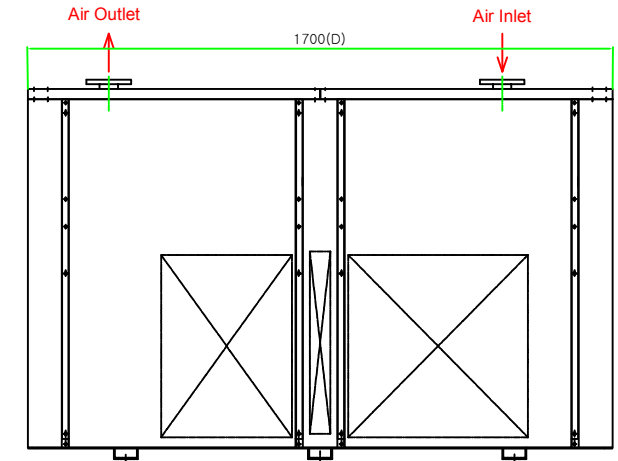
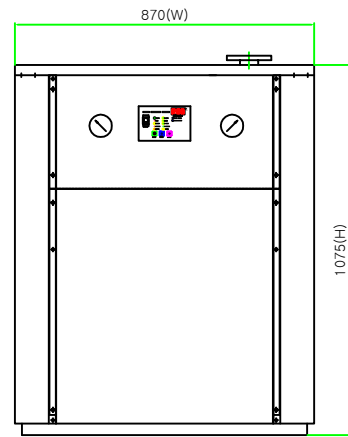
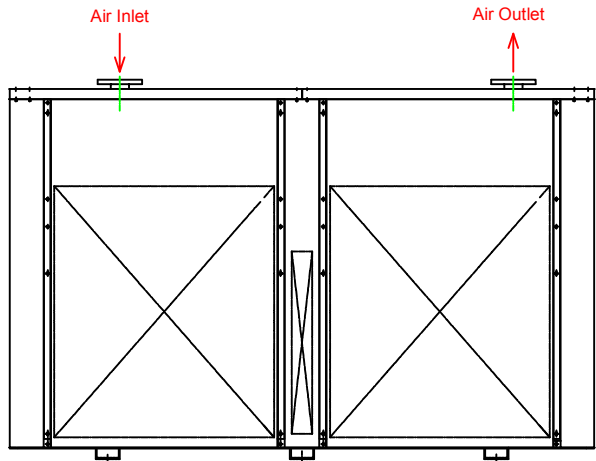
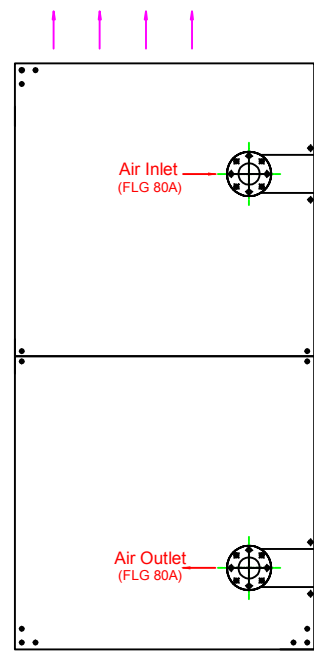
B

C

D

E

F



Itemref	Quantity	Title/Name, designation, material, dimension etc			Article No./Reference	
Designed by		Checked by	Approved by - date	File name	Date	Scale
Outline Dimension				냉동식 Air Dryer 300HP		
				SJD-300		Edition

1 | 2 | 3 | 4 | 5 | 6 | 7 | 8