

1 2 3 4 5 6 7 8

RevNo	Revision note	Date	Signature	Checked
-------	---------------	------	-----------	---------

A

B

C

D

E

F

A

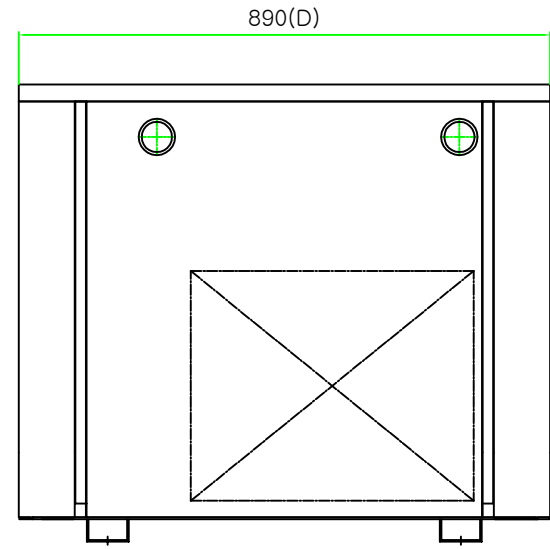
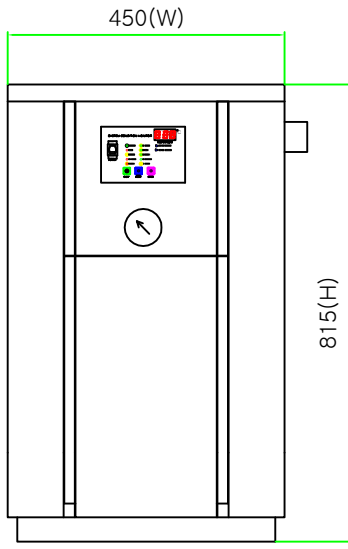
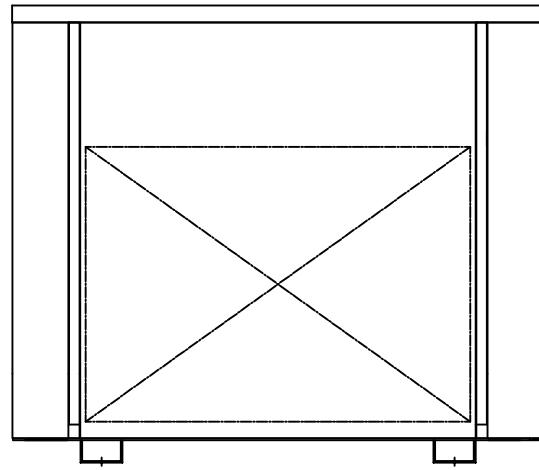
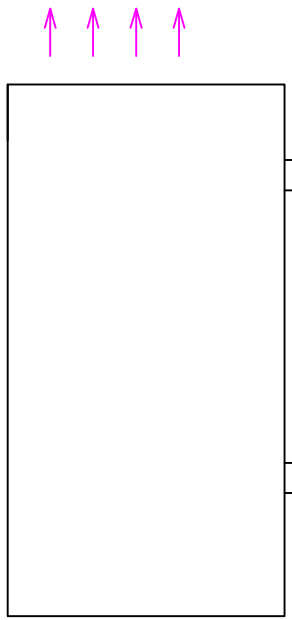
B

C

D

E

F



Outline Dimension	냉동식 Air Dryer 75HP		
	SJD-75	Edition	Sheet

1 2 3 4 5 6 7 8