

1 | 2 | 3 | 4 | 5 | 6 | 7 | 8

RevNo	Revision note	Date	Signature	Checked
-------	---------------	------	-----------	---------

A

B

C

D

E

F

A

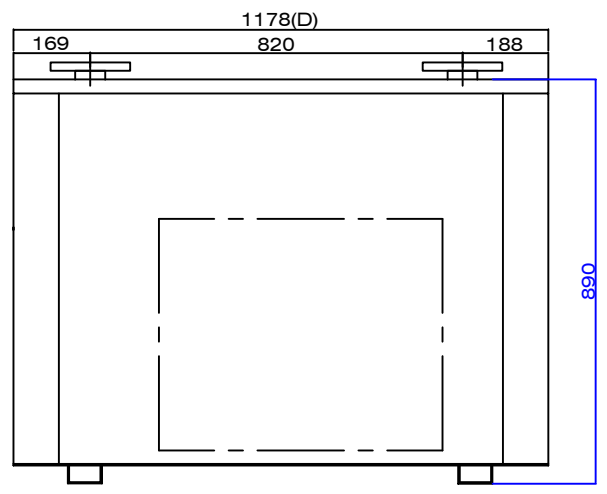
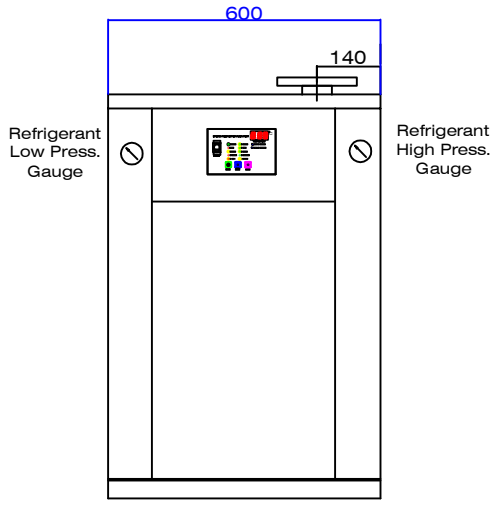
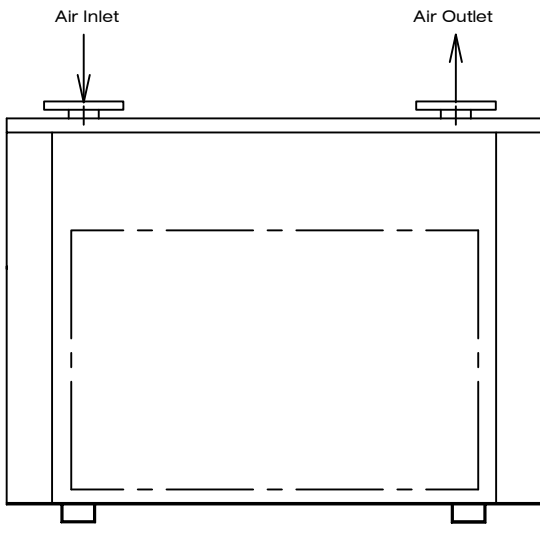
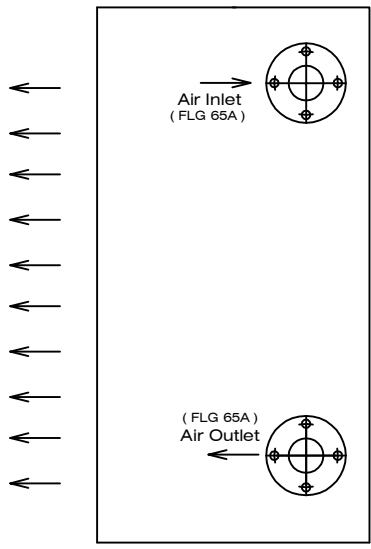
B

C

D

E

F



Outline Dimension	Air Dryer 150HP	
	Edition	Sheet

1 | 2 | 3 | 4 | 5 | 6 | 7 | 8