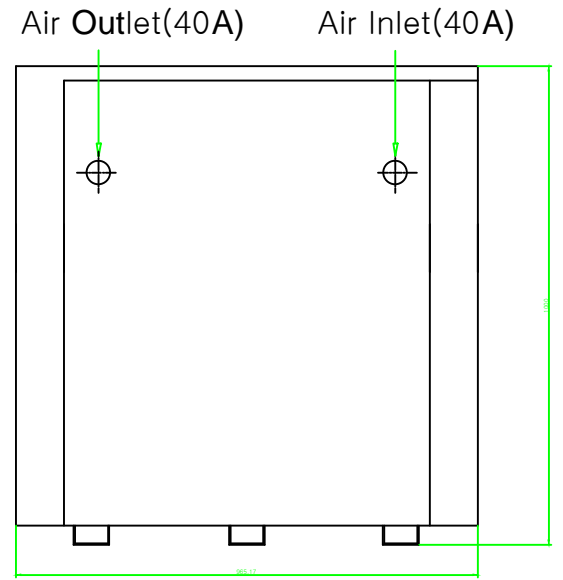
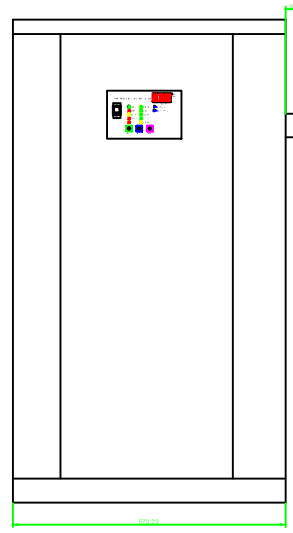
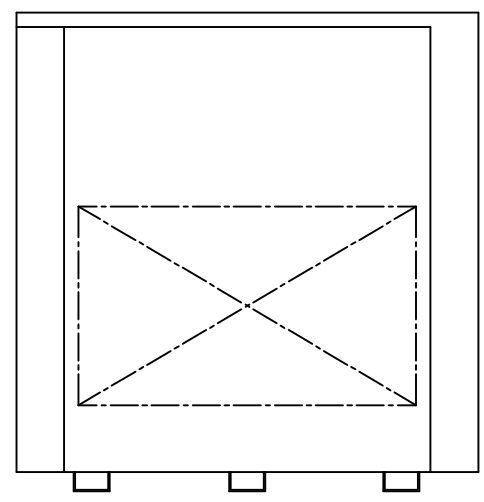
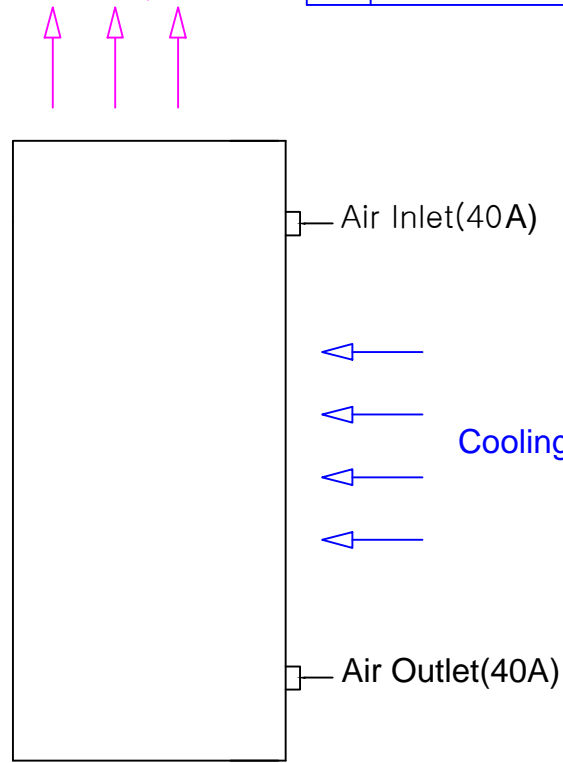


TAD-75 Tropical Air Dryer System

- 1) Inlet Filter/Separator = 5 micron Filter
- 2) After Cooler/PreCooler = Shell-and-Finned Tube Type
- 3) AfterCooler = Shell-and-Finned Tube Type(Air-to-Air)
- 4) PreCooler = Shell-and-Finned Tube Type(Air-to-Air)
- 5) Chiller = Shell-and-Finned Tube Type(Air-to-Refrigerant)
- 6) Outlet Filter/Separator = 1 micron Filter
- 7) Drain Valves = Solenoid Valve with Large Strainer



Outline Dimension	Tropical Air Dryer for 75HP		
	TAD-75	Edition	Sheet